

# Oil Rotary Vacuum Pump [PKS Series]

The PKS series models are extremely durable, large oil rotary vacuum pumps with very stable pumping characteristics.



PKS-030

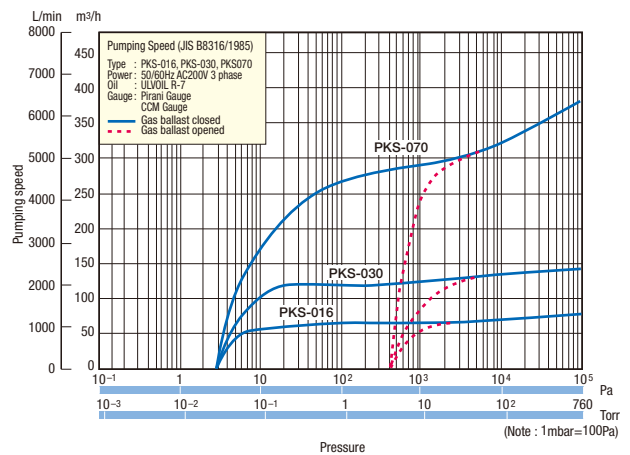
## Features

- ▶ The single-stage design of the rotary plunger vacuum pump is robust and very reliable.
- ▶ High-grade cast iron is used, providing strength and resistance to abrasion.
- ▶ Disassembly and reassembly for maintenance is quite simple. Exhaust valve inspection is also easy.

## Applications

- ▶ Vacuum heating furnace
- ▶ Vacuum molding
- ▶ Vacuum drying
- ▶ Vacuum distillation
- ▶ Vacuum packing, etc.

## Pumping Speed Curves



\*These are representative curves based on actual measurement data.

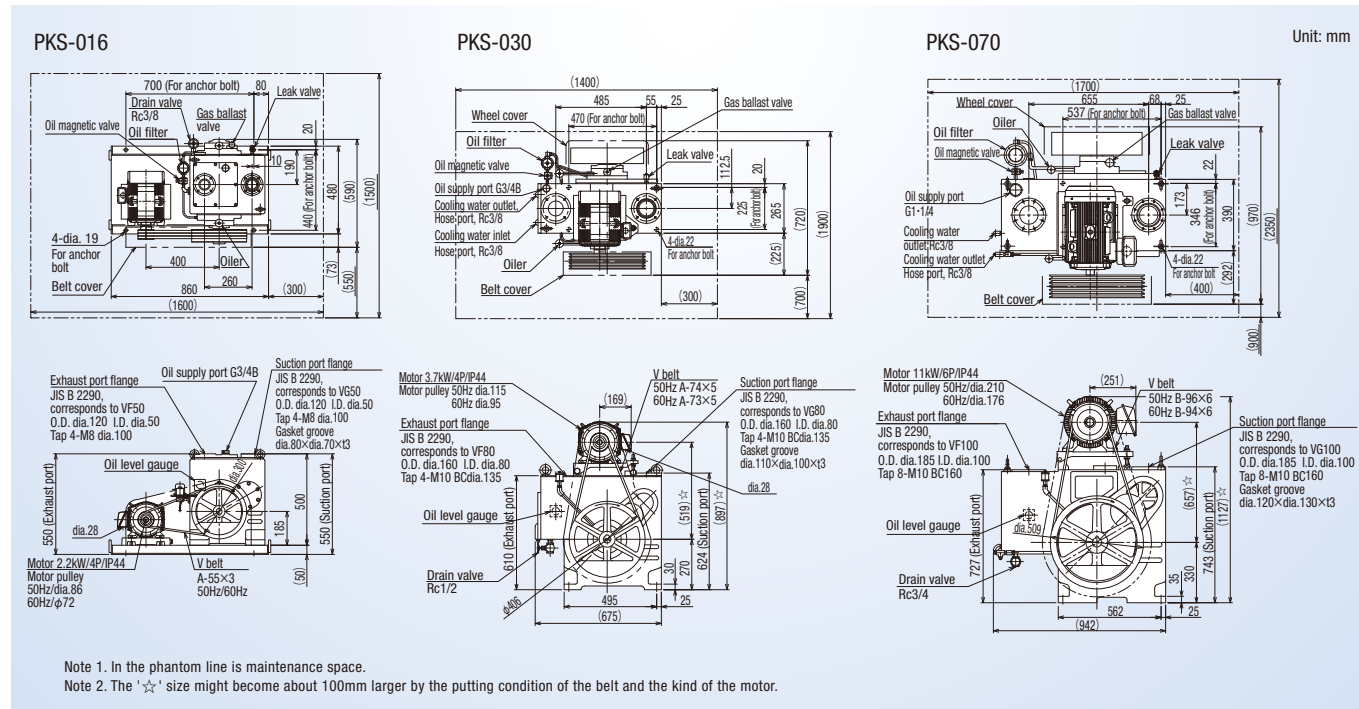
# Oil Rotary Vacuum Pump [PKS Series]

## Specifications

Model		PKS-016	PKS-030	PKS-070	
Designed pumping speed	m <sup>3</sup> /hr	96	180	420	
	L/min	1600	3000	7000	
	CFM	56.5	105.94	247.2	
Ultimate pressure *1	Pa	2.7			
	Torr	2×10 <sup>-2</sup>			
	mbar	2.7×10 <sup>-2</sup>			
Motor *2 *3	Type	Totally Enclosed Fan Cooled Motor			
	kw (number of poles)	2.2 (4)	3.7 (4)	11 (6)	
	HP (number of poles)	2.95 (4)	4.96 (4)	14.95 (6)	
	Voltage/Frequency	200V/50Hz, 200V/60Hz, 220V/60Hz			
Oil *4		ULVOIL R-7			
Oil capacity	L	6.5	8	20	
Cooling method		Air cooled	Water cooled		
Cooling water	Primary side pressure	MPa	—	≦0.3 (Gauge pressure)	
		psi	—	≦43.5 (Gauge pressure)	
	Inlet/outlet water pressure differential	MPa	—	≦0.1 (Gauge pressure)	
		psi	—	≦14.5 (Gauge pressure)	
	Flow rate	L/min	—	3	5
	Temperature	°C	—	5 to 30	5 to 30
°F		—	41 to 86	41 to 86	
Inlet	JIS B2290	VG50 equivalency	VG80 equivalency	VG100 equivalency	
Outlet	JIS B2290	VF50 equivalency	VF80 equivalency	VF100 equivalency	
Weight	kg	225	380 (without motor)	900 (without motor)	
External dimensions	W×L×H	mm	590×860×550	720×675×897	970×942×897
Certification		CE (Option)			
Options		Oil mist trap TM-2	Oil mist trap TM-3	Oil mist trap TM-4	

- \*1 Measured with a Pirani gauge.
- \*2 The pump is also compatible with a increased safety explosion-resistant motor, and pressure resistant explosion-resistant flange motor.
- \*3 Other voltage is available upon request.
- \*4 Other oil types are available, upon request.

## Dimensions



ULVAC, Inc. Components Division

www.ulvac.co.jp/eng

Overseas Sales in Japan TEL +81-467-89-2261

USA : ULVAC Technologies, Inc. TEL +1-978-686-7550  
 GERMANY : ULVAC GmbH TEL +49-89-960909-0  
 CHINA : ULVAC (SHANGHAI) Trading Co.,Ltd. TEL +86-21-6127-6618  
 TAIWAN : ULVAC TAIWAN, Inc. TEL +886-3-579-5688  
 KOREA : ULVAC KOREA, Ltd. TEL +82-31-683-2922  
 SINGAPORE : ULVAC SINGAPORE PTE LTD TEL +65-6542-2700

PHILIPPINES : ULVAC Singapore Philippines Branch TEL +63-2-828-7700  
 VIETNAM : ULVAC Singapore Vietnam Representative Office TEL +84-8-62556762  
 THAILAND : ULVAC (THAILAND) LTD TEL +66-2-312-4447  
 MALAYSIA : ULVAC MALAYSIA SDN. BHD. TEL +60-3-5121-4700  
 INDIA : ULVAC, Inc., India Branch TEL +91-40-27007006

PHILIPPINES : ULVAC Singapore Philippines Branch TEL +63-2-828-7700  
 VIETNAM : ULVAC Singapore Vietnam Representative Office TEL +84-8-62556762  
 THAILAND : ULVAC (THAILAND) LTD TEL +66-2-312-4447  
 MALAYSIA : ULVAC MALAYSIA SDN. BHD. TEL +60-3-5121-4700  
 INDIA : ULVAC, Inc., India Branch TEL +91-40-27007006

▶ This catalog is subject to change without notice.  
 ▶ This catalog is published in order to sell this product in overseas. Please see Japanese catalog when purchasing in Japan.